

Wulian[®]

网络智能锁(可视)

Smart Retina Doorlock

网络锁(非可视)

Smart Touch Doorlock



(图片仅供参考, 请以实物为准)

(Picture for Reference Only)

目录

您的产品图解

配置清单

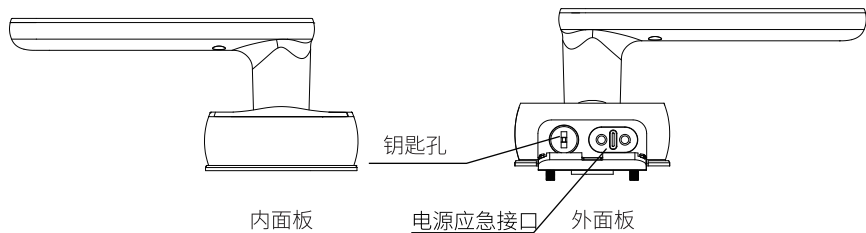
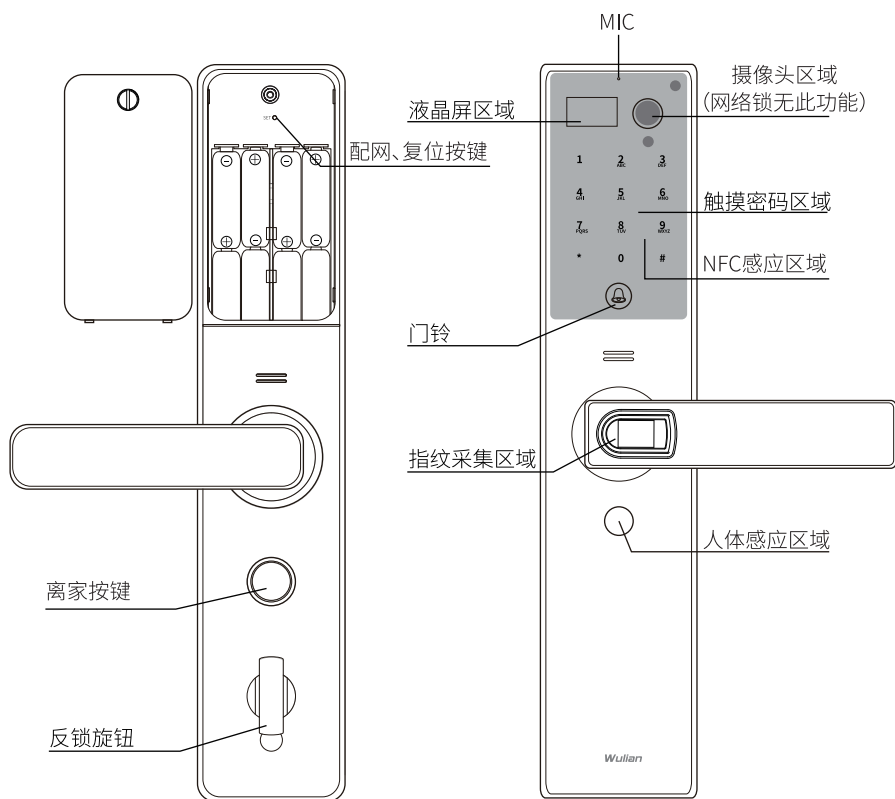
如何安装您的智能锁

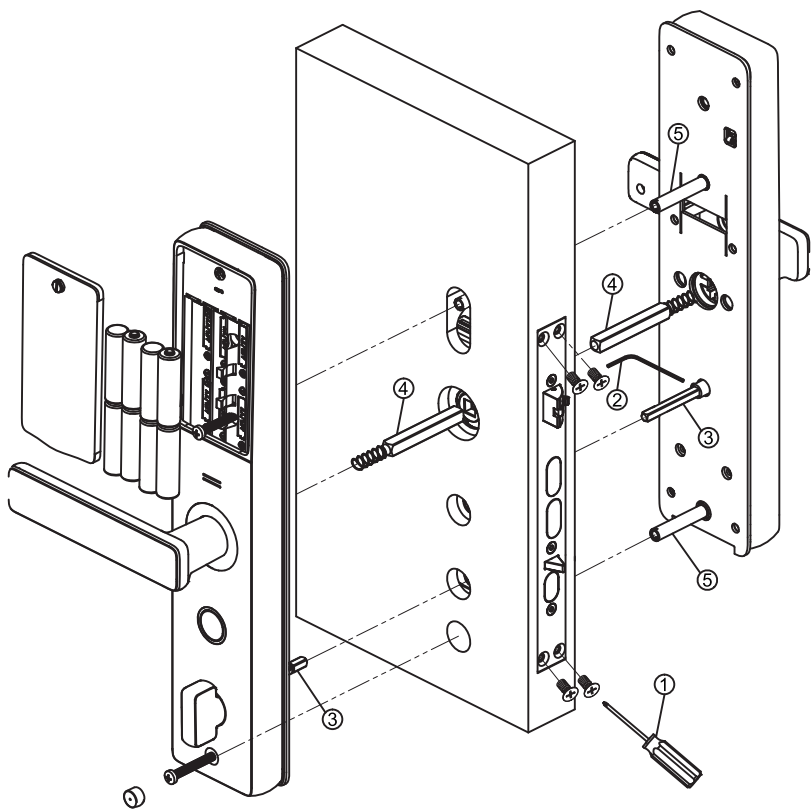
如何使用您的智能锁

高级功能与应急应用

技术参数

产品图解





- 1·十字螺丝刀(安装工具)
- 2·内六角扳手(安装工具)
- 3·小方轴(2根)
- 4·大方轴(2根)
- 5·连接柱(2根)

安装视频
扫码观看



配置清单

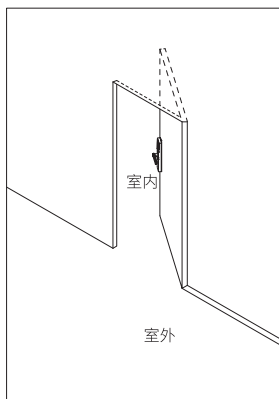
请在拆开包装箱后按清单仔细核对,如发现有缺漏,请及时向我们或代理商索取。

序号	名称	每套数量
1	外面板	1
2	内面板	1
3	锁体	1
4	安装套件包	1
5	产品使用说明书	1
6	开孔图	1
7	开孔画笔	1
8	保修卡	1
9	机械钥匙	3
10	磁卡	3
11	5号电池	8
12	门框盒	1
13	门扣板	1

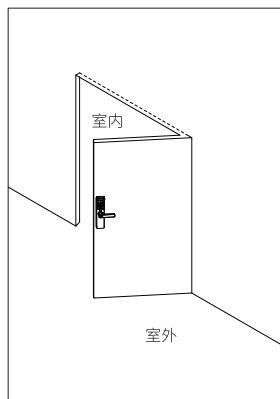
如何安装您的智能锁

1 门开向判断

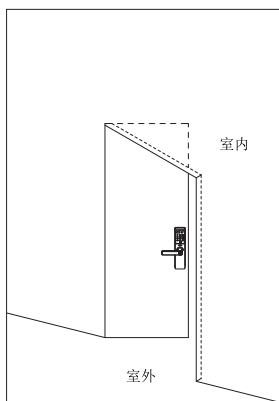
根据下列图示判断你的开门方向。



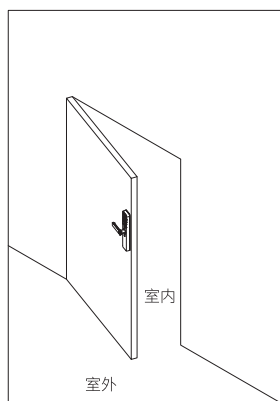
右内开门



右外开门



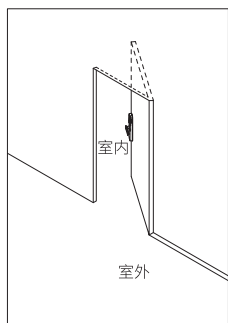
左内开门



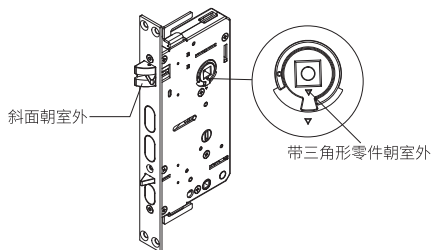
左外开门

2 智能锁开向的适配

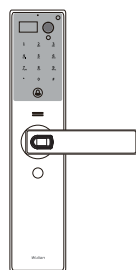
本智能锁拥有四向合一功能, 经调整可以适用于右外开、右内开、左外开、左内开, 四种开向的门。



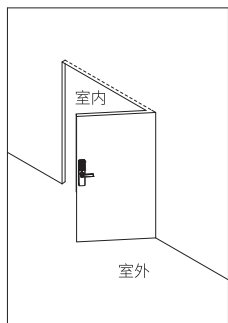
右内开门



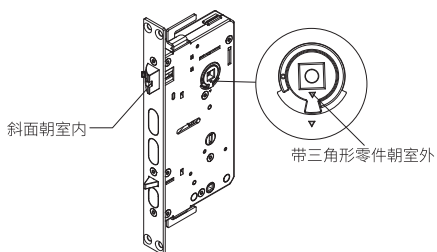
适配右内开锁体



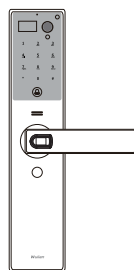
适配向右执手的面板



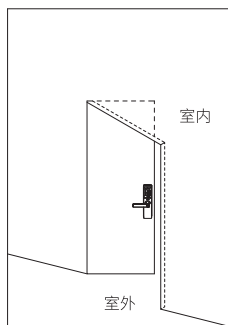
右外开门



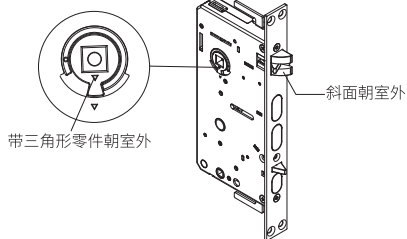
适配右外开锁体



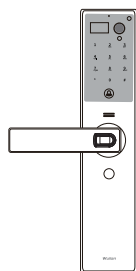
适配向右执手的面板



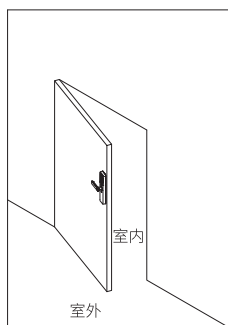
左内开门



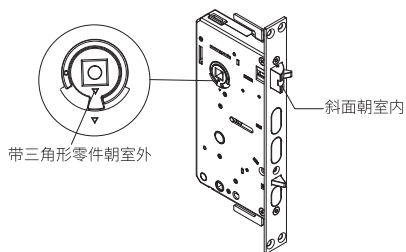
适配左内开锁体



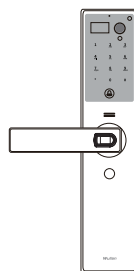
适配左向执手的面板



左外开门



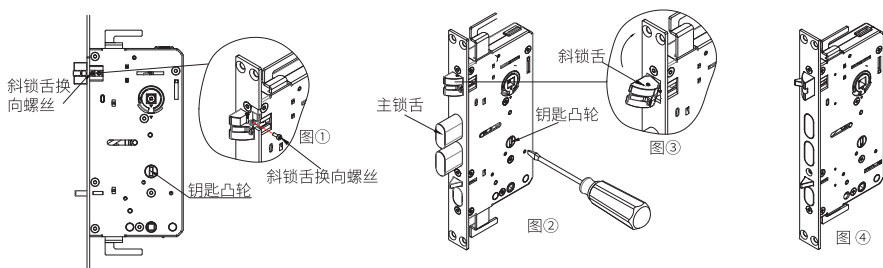
适配左外开锁体



适配左向执手的面板

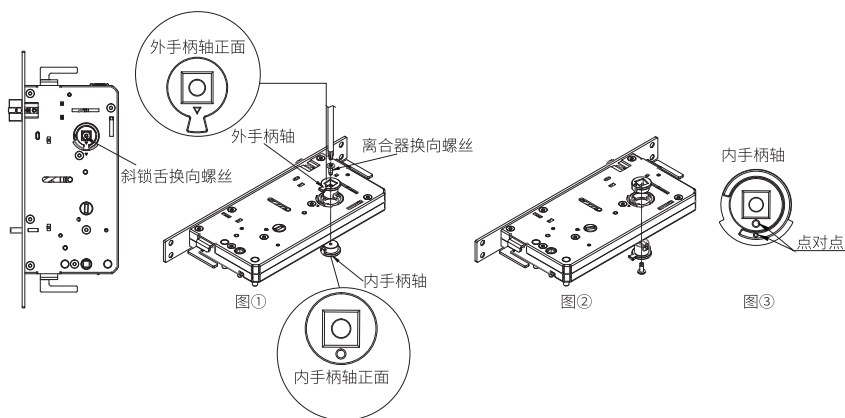
3 智能锁开向的调整

3.1 锁体内外换向调整:斜锁舌调整



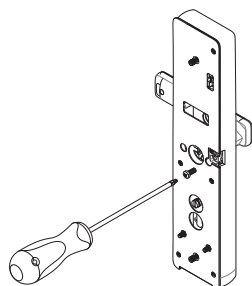
- 1:用十字螺丝刀取出斜锁舌换向螺丝,见图①;
- 2:用一字螺丝刀旋转钥匙凸轮,打开主锁舌,见图②;
- 3:拉出斜锁舌,再旋转斜锁舌,见图③;
- 4:推回,上紧斜锁舌换向螺丝;
- 5:用一字螺丝刀旋转钥匙凸轮,缩回主锁舌,见图④。

3.2 锁体左右换向调整:离合器调整

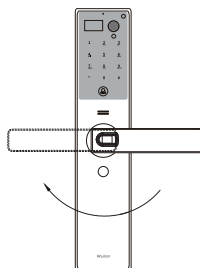


- 1:用十字螺丝刀取出离合器换向螺丝,见图①;
- 2:取下内外手柄轴,互换位置,见图②;
- 3:检查内手柄轴安装位置是否正确,标记点见图③;
- 4:上紧离合器换向螺丝。

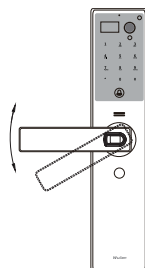
3.3 执手换向调整:离合器调整



图①



图②



图③

- 1:用十字螺丝刀取出执手换向螺丝,见图①;
- 2:执手顺时针旋转:180°,见图②;
- 3:上紧执手换向螺丝;
- 4:转动执手,检查执手复位是否正常,见图③。

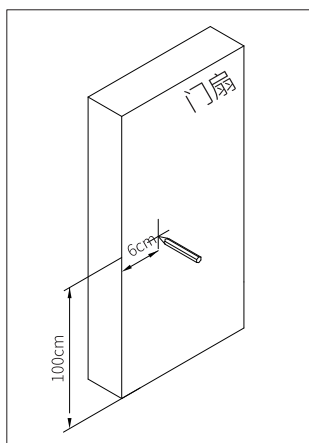
安装注意事项:

- ①如未安装产品附带的门扣板,可能导致门锁开关门检测功能无法正常使用;
- ②请勿用力拉扯门锁的数据线,否则可能导致产品损坏。

智能锁的安装

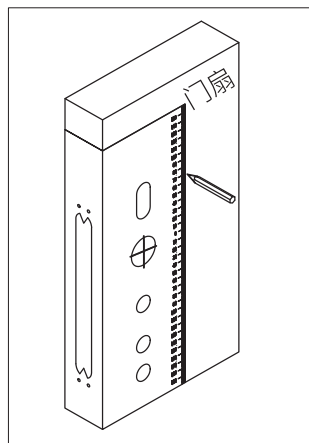
4.1 开门孔

1 确定门锁安装位置

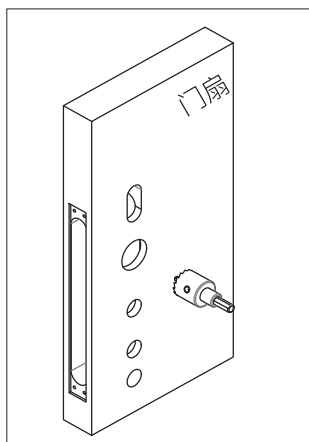


2 划线

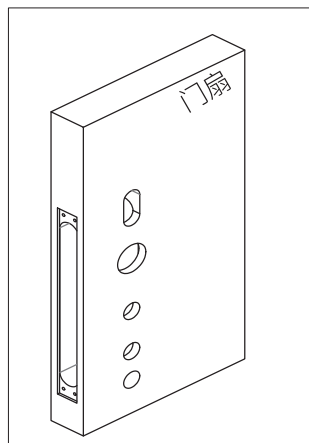
将开孔图纸紧贴门扇, 用铅笔在图纸开孔处划线。



3 开孔



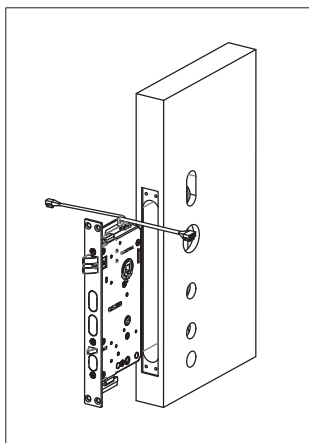
4 检查开孔



4.2 安装锁体

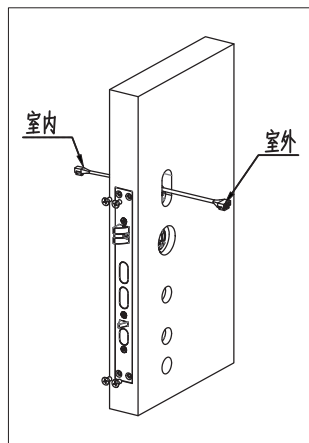
1 安装锁体

将锁体插入门槽中，插入时勾好上下天地勾。



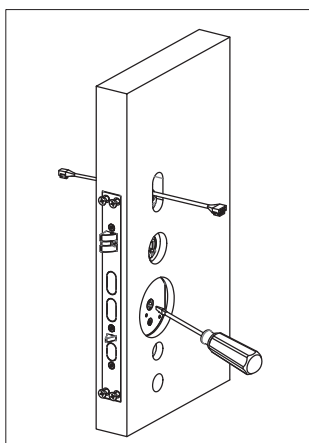
2 固定锁体

旋紧锁体上的四颗固定螺丝



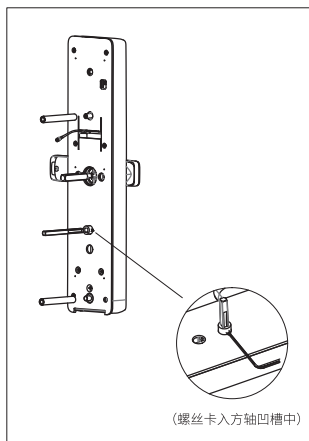
3 锁体调试

用一字螺丝刀旋转图示钥匙孔，检验锁体是否顺畅。

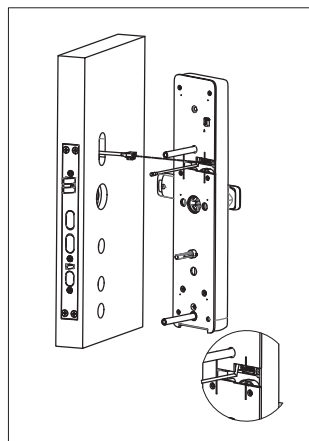


4.3 安装前面板

1 安装连接柱、钥匙传动轴



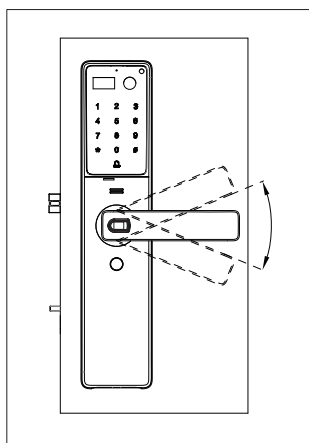
2 对接前面板插座及对孔



3 前面板调试

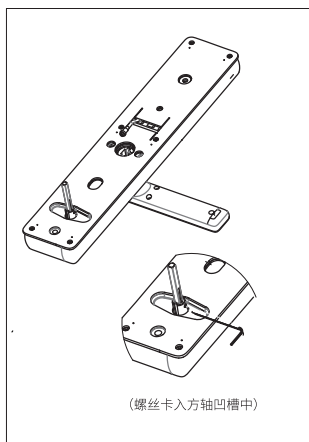
(1) 上下扳动把手，测试锁舌是否顺畅。

(2) 旋转钥匙，测试锁舌是否顺畅。

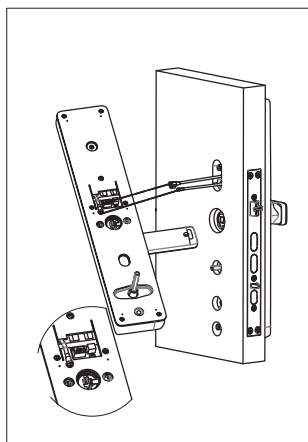


4.4 安装后面板

1 安装反锁方轴

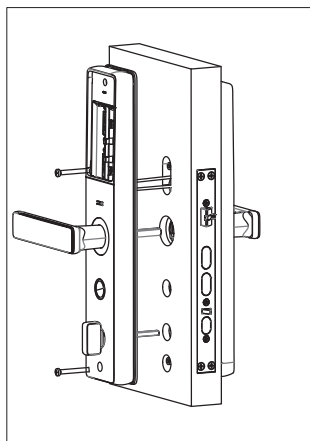


2 接线



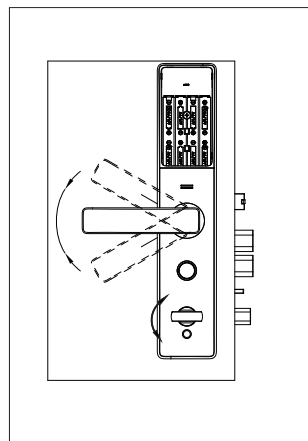
3 固定后面板

将内外面板与门贴紧，旋紧两颗内外面板连接螺丝。



4 后面板调试

- (1) 上下扳动把手，测试锁舌是否顺畅。
- (2) 旋转反锁旋钮，测试锁舌是否顺畅。



如何使用您的智能锁

5.1 开锁方式

- 密码开锁：触摸唤醒智能锁，输入密码，按“#”确认，即可解锁。
- 指纹开锁：按下指纹，验证成功，即可解锁。
- NFC开锁：将磁卡或带NFC功能的Android手机靠近感应区，验证成功，即可解锁。
- 手机开锁：在智能家居手机软件中输入正确密码，即可解锁。

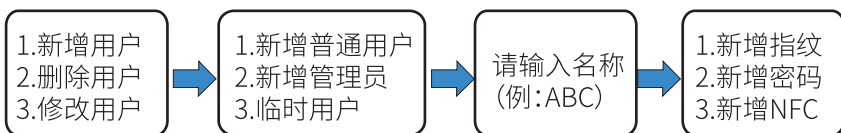
注意事项：产品恢复出厂设置后，进入管理员模式时会强制要求输入一个管理员账户。

5.2 设置菜单

进入管理员设置界面：触摸唤醒智能锁，双击“*”，提示输入管理员指纹或密码，输入密码按“#”确认，或按下管理员指纹进入菜单。

5.3 用户设置

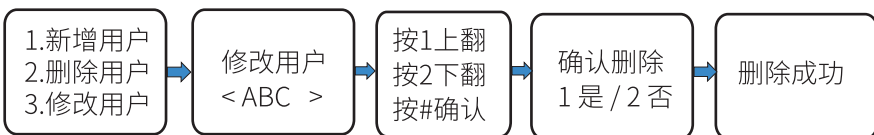
● 新增用户



备注：

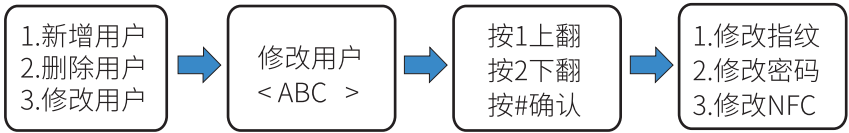
- 1.新增普通用户与新增管理员用户操作相同。
- 2.密码长度为6个数字。
- 3.用户名不超过5个字母。
- 4.临时用户设置：接收APP下发的临时密码，选择是，即开启了APP下发临时用户的功能，选择否即为关闭此功能。

● 删除用户



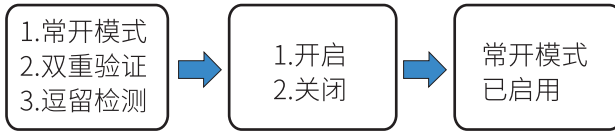
备注：删除用户即为删除该用户，包括名下的密码，指纹，NFC。

●修改用户



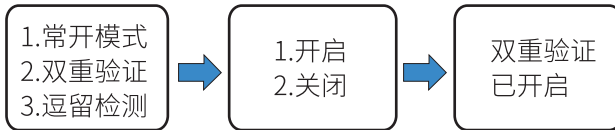
5.4安全设置

●常开模式



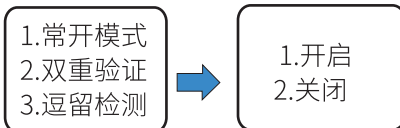
备注:在常开模式下,无需经过任何验证,直接在室外下压把手即可开锁,输入一次密码或上提把手锁门,即可解除常开模式。

●双重验证



备注:开启双重验证功能,需使用指纹、密码、NFC三种方式的任意两种组合进行开门。

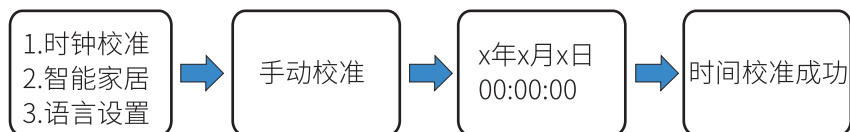
●逗留检测



逗留检测:门锁会检测到有人在门前逗留,并发出警报,如在APP开启了逗留拍照/录像功能,则会自动抓拍照片/录像(网络锁无此功能)。

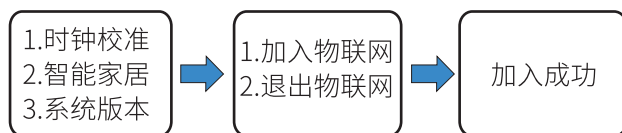
5.5 系统设置

● 时间设置



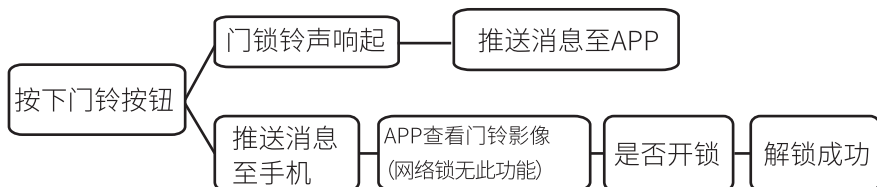
备注：当门锁和网关连上后，网关会自动与门锁校准时间。

● 智能家居



备注：加入物联网后即可实现APP控制、联动智能家居系统。加入物联网前需确定网关处于加网状态；如加入不成功可尝试先退出后再加入。

5.6 门铃功能



5.7 门铃绑定

当智能锁和Wulian门铃均已加入同一个网关，可将Wulian门铃与门锁进行绑定，完成后，按下智能锁门铃，即可联动Wulian门铃响铃。

绑定方法：连按两次智能锁的“*”键，在进入管理菜单的验证界面中，连按3次门铃，待智能锁提示“门铃绑定中”后，40秒内连按Wulian门铃的SET键3下，待智能锁提示“门铃绑定成功”即可。

解绑方法：按门铃绑定方法，再操作一次，即为解绑。

5.8离家按钮



按下离家按钮, 离家场景随即执行(此功能需先在app绑定)。

5.9 WiFi联网设置

- 1.加入物联网后,在APP第一次点击设备时会咨询是否需要进行摄像机WiFi配置,选择确定开始按提示操作;如第一次跳过,可进入APP的管理设置界面,选择“WiFi配置”进行配置WiFi;
- 2.根据app提示按下配网按键;
- 3.输入WiFi账号密码;
- 4.联网成功。

5.10 APP下载

初次使用时,请先安装APP客户端,并仔细阅读产品说明书,并时常关注我司资讯,以便及时更新。



智能家居



物联卫家

高级功能与应急应用

6.1恢复出厂设置

用户如不慎遗忘管理密码等原因,无法进入管理模式。可初始化智能锁,使之恢复出厂设置。

具体步骤如下:

恢复门锁出厂设置:在通电的情况下,用顶针长按电池槽上方“配网、复位按键”保持10s,等待语音提示“已恢复出厂设置”即表示本锁已初始化成功;

恢复门锁摄像机出厂设置:在通电的情况下,用顶针轻按电池槽上方“配网、复位按键”3次,等待语音提示“恢复出厂设置成功”即表示摄像机已初始化成功(网络锁无此功能)。

注意事项:

恢复出厂设置以后,管理员密码恢复为“123456”,所有已添加的指纹或卡片都会被清除,需要重新添加。

6.2应急电源

此时应及时更换新电池(请勿将不同型号、新旧电池混合使用)。

当电池电力耗尽,无法启动系统时,可任意选择以下一种方式,即可启动系统再开门。

应急供电:

- ①使用移动电源,通过USB Type-C接口供电;
- ②使用9V电池对接双触点进行供电



6.3应急机械钥匙开启

在底部插入机械钥匙,旋转90度即可开门。

技术参数

产品名称	Wulian网络锁 \ Wulian网络智能锁
颜色	玫瑰金 \ 流光银 \ 红古铜 \ 青古铜
开启方式	指纹 \ 密码 \ NFC \ APP \ 钥匙
摄像分辨率	720P
镜头角度	垂直120° 水平90°
指纹识别方式	半导体电容扫描方式
指纹拒真率	< 0.1%
指纹认假率	< 0.001%
用户容量	60位
每位用户可录入(除临时用户)	6枚指纹、1个密码、1张NFC
电池寿命	12个月 (平均10次/天)
外部供电	DC 9V 电池 \ USB Type-C
待机电流	< 35 μ A
工作电流	< 220 mA
工作温度	-20°C ~ 50°C
环境湿度	15~90%RH
面板材质	锌合金
面板工艺	四曲面合模 \ 电镀 \ 烤漆
锁体材质	304不锈钢
锁体工艺	不锈钢一体精密铸造 \ CNC精密加工

Catalog

Product Diagram

Packing List

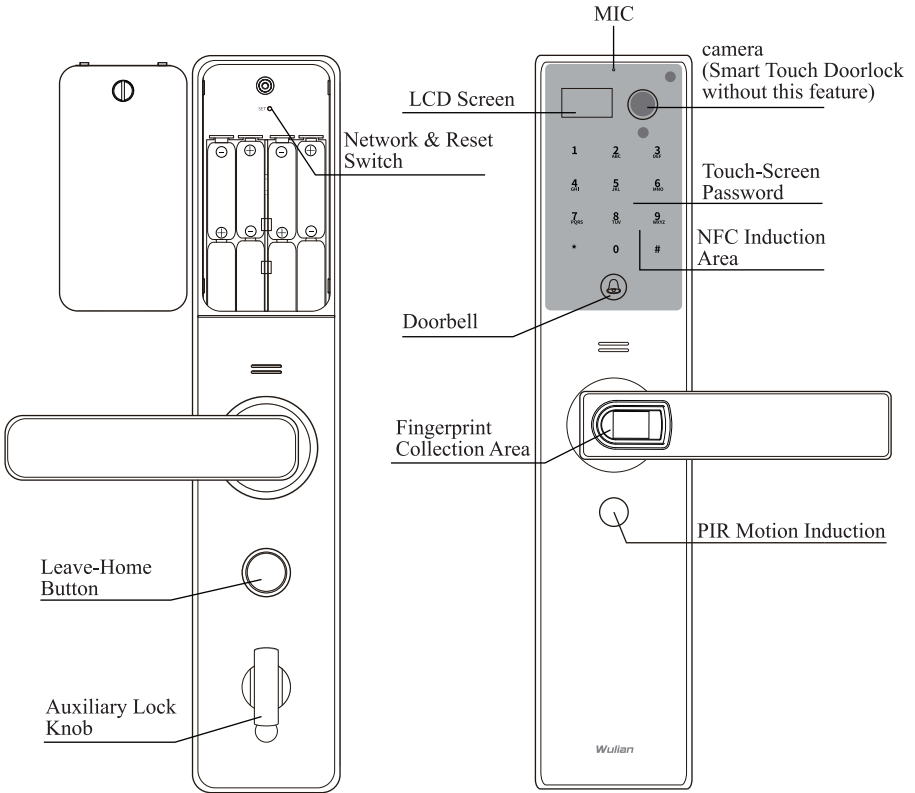
How to Install the Smart Retina Doorlock

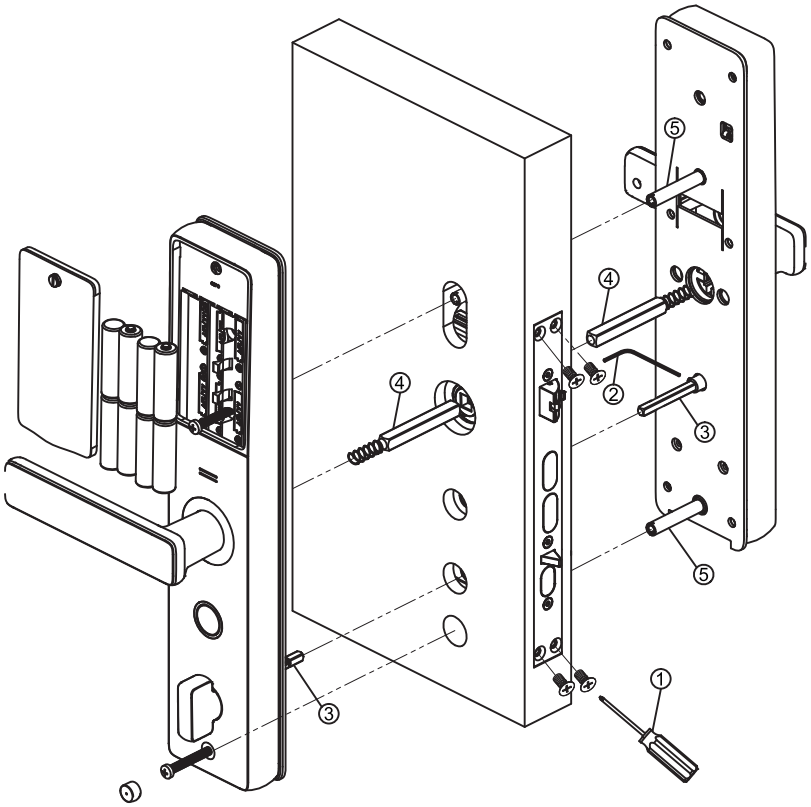
How to Use the Smart Retina Doorlock

Advanced Features and Emergency Application

Product Specifications

Product Diagram





1. Cross screwdriver (tools)
2. Internal hexagonal wrench (tools)
3. Small square shaft (2PCS)
4. Big square shaft (2PCS)
5. Connecting bolt (2PCS)



Scan QR code to view installation video

Packing List

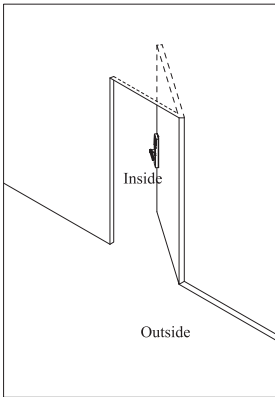
Please check the list carefully after opening the package. If there is something missing, please contact us or our agent immediately.

NO.	Name	Quantity
1	Front Plate	1
2	Back Plate	1
3	Lock Body	1
4	Installation Package	1
5	User Manual	1
6	Hole Drilling Drawing	1
7	Brush	1
8	Warranty Card	1
9	Key	3
10	Magnetic Card	3
11	AA Battery	8
12	Door Frame Box	1
13	Strike Plate	1

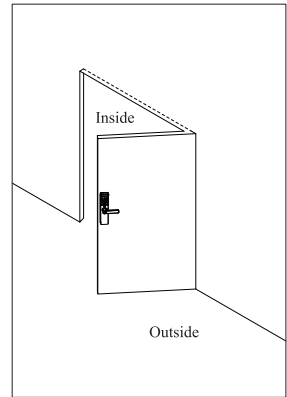
How to Install the Smart Retina Doorlock

1. Confirm Door Swing Direction

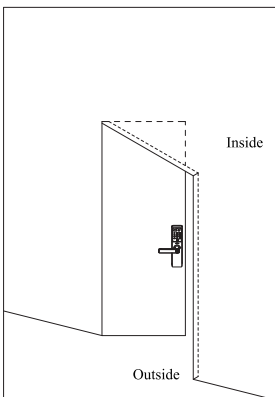
Determine your door swing direction according to the diagrams shown below.



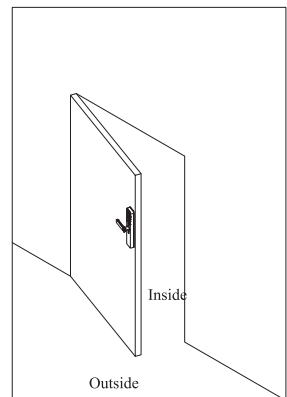
Right Hand Inswing



Right Hand Outswing



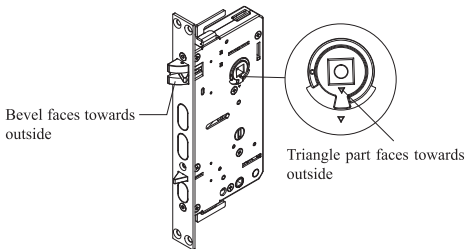
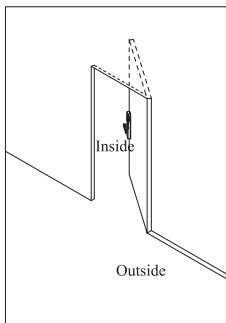
Left Hand Inswing



Left Hand Outswing

2. Fittings for Different Swing Directions

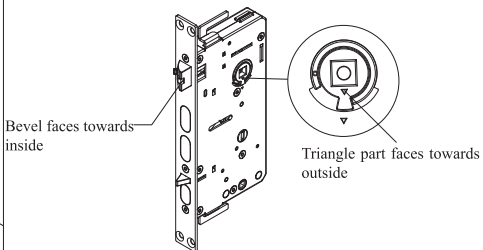
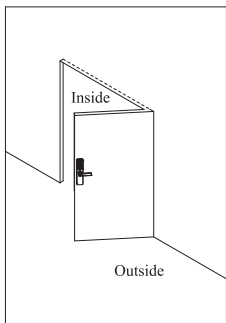
You can adjust the Smart Retina Doorlock to make it suitable for right hand inswing/outswing door or left hand inswing/outswing door.



Right hand inswing

Matched with right hand inswing lock body

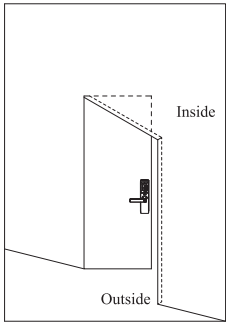
Matched with right handed plate



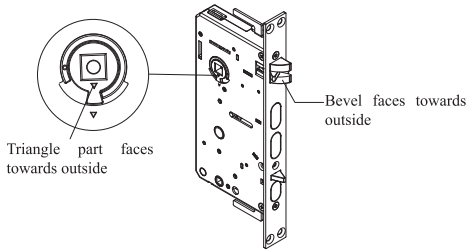
Right hand outswing

Matched with right hand outswing lock body

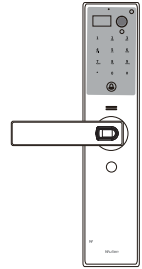
Matched with right handed plate



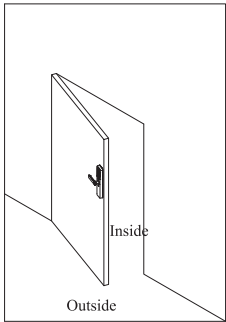
Left hand inswing



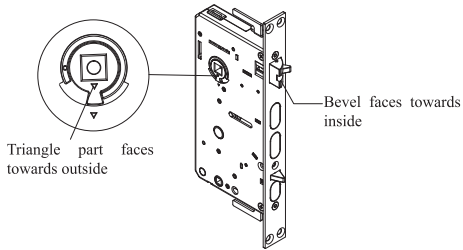
Matched with left hand inswing lock body



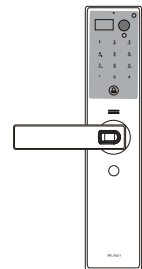
Matched with left handed plate



Left hand outswing



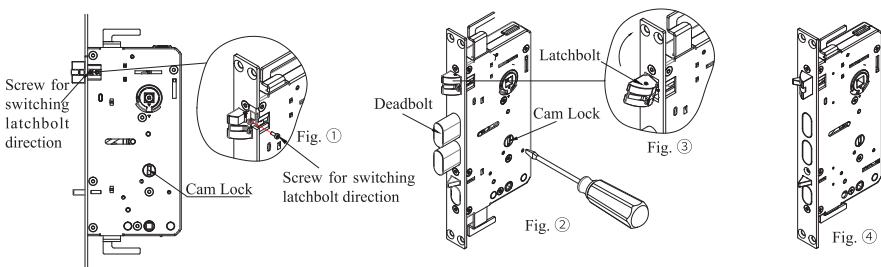
Matched with left hand outswing lock body



Matched with left handed plate

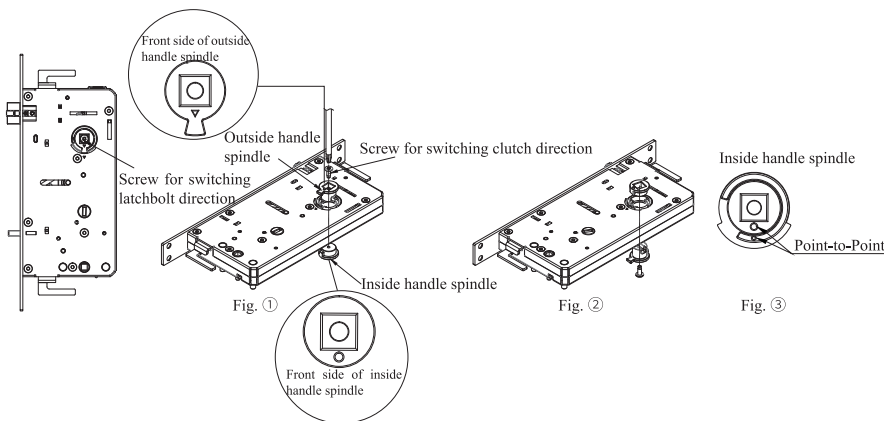
3. Doorlock Adjustment

3.1 Switch the Direction of Lock Body (Inswing & Outswing): Latchbolt Adjustment



1. Remove the screw for switching latchbolt direction with a Phillips head screwdriver (Fig. ①);
2. Rotate cam lock with a slotted screwdriver to open deadbolt (Fig. ②);
3. Pull out latchbolt and then rotate it (Fig. ③);
4. Push back latchbolt and tighten the screw for switching latchbolt direction;
5. Rotate cam lock with a slotted screwdriver to retract deadbolt (Fig. ④).

3.2 Switch the Direction of Lock Body (Left & Right): Clutch Adjustment



1. Remove the screw for switching clutch direction with a Phillips head screwdriver (Fig. ①);
2. Remove inside & outside handle spindles and exchange them (Fig. ②);
3. Check whether or not the inside handle spindle is installed in the right place (the mark is shown in Fig. ③);
4. Tighten the screw for switching clutch direction.

3.3 Switch the Direction of Handle (Left & Right): Clutch Adjustment

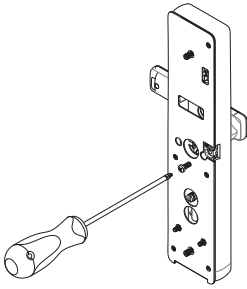


Fig. ①

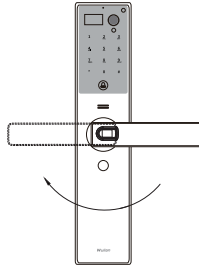


Fig. ②

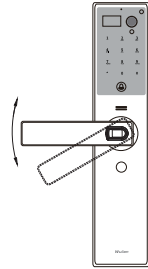


Fig. ③

1. Remove the screw for switching handle direction with a Phillips head screwdriver (Fig. ①);
2. Rotate the handle 180 degrees clockwise (Fig. ②);
3. Tighten the screw for switching handle direction;
4. Rotate the handle to check whether it can be used normally (Fig. ③).

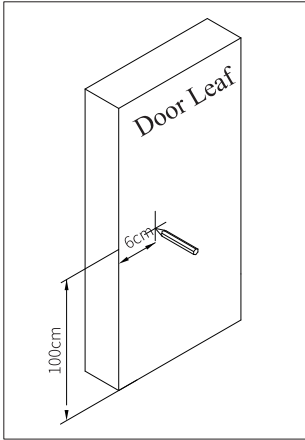
Installation Notes:

- 1. Door opening and closing detection may not work properly if the accessory strike plate is not installed;**
- 2. Do not pull the Data lines of the Doorlock, or it may lead to product damage.**

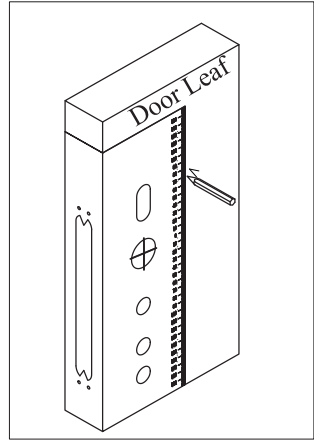
Doorlock Installation

Drill a Hole

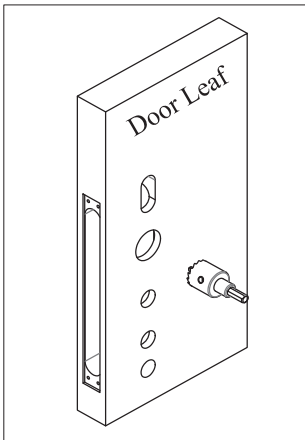
1. Confirm the Doorlock Installation Position



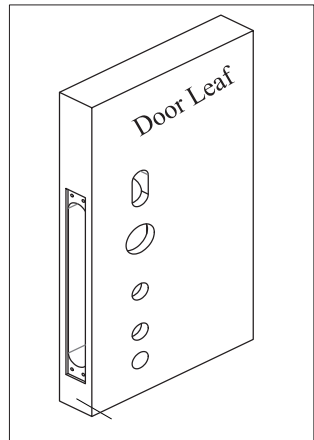
2. Mark
Press the drawing paper against the door leaf and mark the hole position with a pencil.



3. Drill a Hole



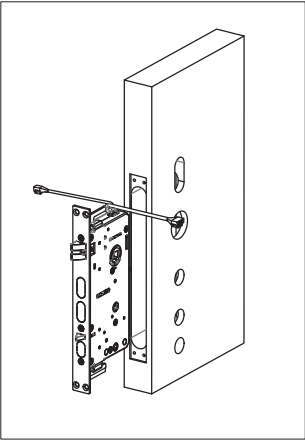
4. Check the Hole



Lock Body Installation

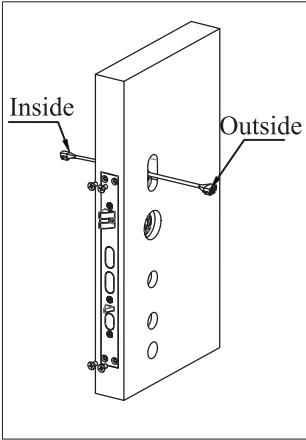
1. Install Lock Body

Insert the lock body into door groove, and fasten it with upper and lower hooks.



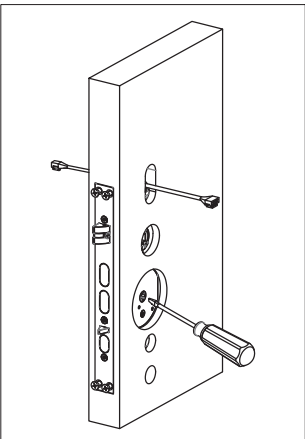
2. Fix Lock Body

Tighten 4 screws on the lock body.



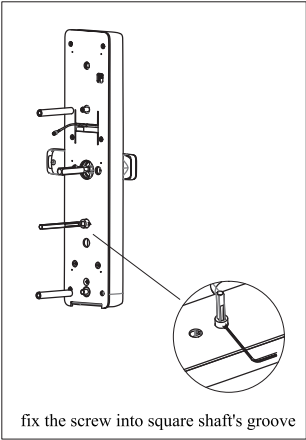
3. Adjust Lock Body

Rotate the key hole with a slotted screwdriver to check that the lock operates smoothly.

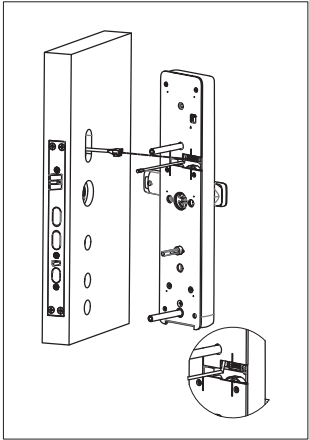


Front Plate Installation

1. Install Connecting Cylinder and Key Link Strip

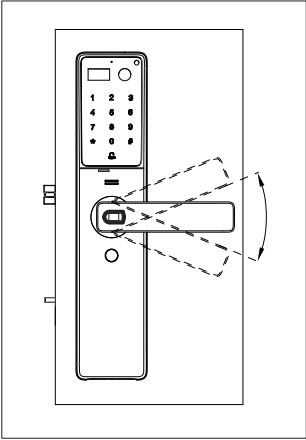


2. Connect Cables and Insert



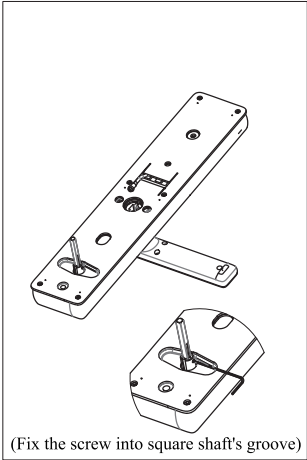
3. Adjust Front Plate

- (1) Turn the handle to ensure normal up and down movement of the handle.
- (2) Rotate the key to ensure that the latch bolt can operate smoothly with the key.

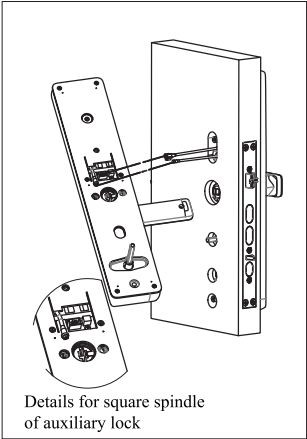


Back Plate Installation

1. Install Square Spindle

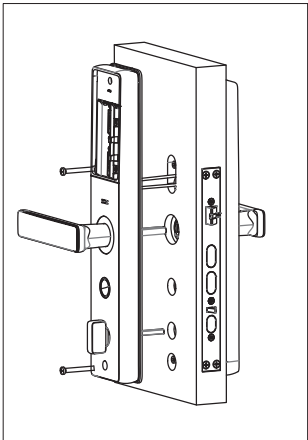


2. Connect Cables



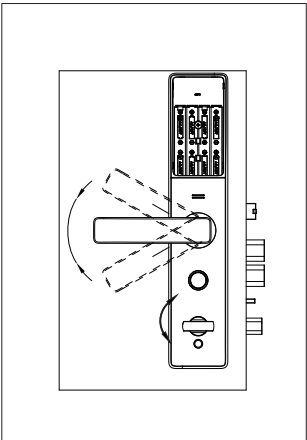
3. Fix Back Plate

Attach the front plate and back plate close to the door with two connecting screws.



4. Adjust Back Plate

- (1) Turn the handle to ensure normal up and down movement of the handle.
- (2) Rotate the key to ensure that the latch bolt can operate smoothly with the key.



How to Use the Smart Retina Doorlock

1. Unlocking Methods

- Password Unlocking: Touch the lock to wake it up; input your password and press “#” to confirm unlocking.
- Fingerprint Unlocking: Press your fingerprint and unlock the door after successful authentication.
- NFC Unlocking: Keep your magnetic card or NFC phone close to induction area; and unlock the door after successful authentication.
- Mobile Phone Unlocking: Input your password on Smart Home App to unlock the door.

Note:

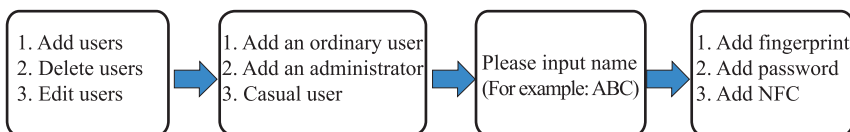
After restored to factory default settings, the device requires users to input an administrator account in administrator mode.

2. Menu Settings

Enter “Administrator Settings” interface: touch the lock to wake it up; press “*” twice quickly; input administrator fingerprint or password to enter “Menu” (press “#” to confirm after inputting password)

3. User Settings

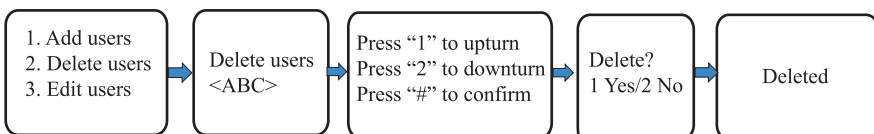
- Add Users



Notes:

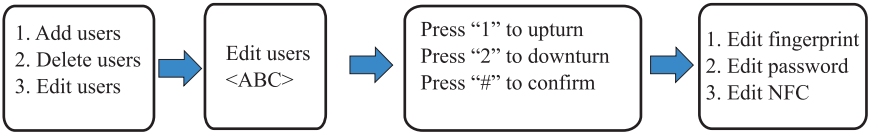
1. The method of adding an ordinary user is same as that of adding an administrator.
2. Password should be 6 digits.
3. User name should be no more than 5 letters.
4. Casual User Settings: “Accept Mobile Phone One-Time Password”; choose “Yes” to turn on the function of adding casual user via App; choose “No” to turn it off.

- Delete Users



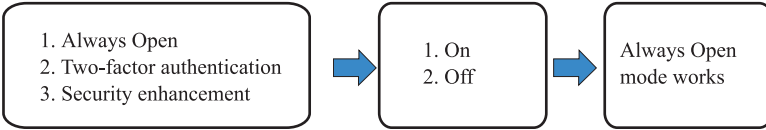
Note: Deletion includes the user’s account, password, fingerprint, NFC card.

●Edit Users



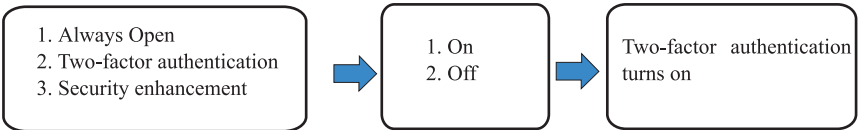
4. Security Settings

●Always Open



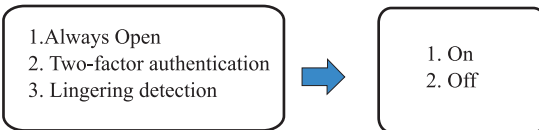
Note: In always open mode, you can open the door from the outside without authentication. Entering a correct password or lifting the handle will invalidate the always open mode.

●Two-factor Authentication



Note: If two-factor authentication is turned on, users need to choose any two from three unlocking methods including fingerprint, password and NFC card to open the door.

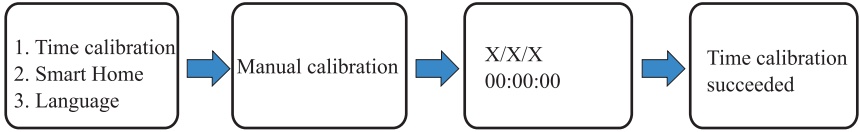
●Security Enhancement



Lingering Detection: The lock will sound an alarm when detecting someone's lingering in front of the door. It will push a photo automatically if the user turns on the function of alarm recording on App previously(Smart Touch Doorlock has no this function).

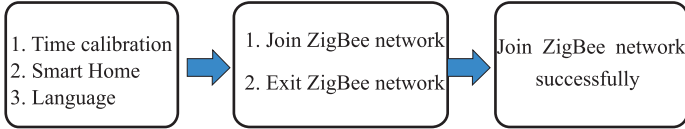
5. System Settings

•Time Settings



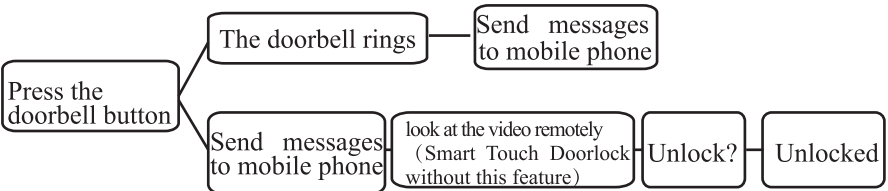
Note: When the Doorlock is connected to a gateway, its time will be synchronized with your gateway time automatically.

•Smart Home



Note: The Doorlock can link with the whole Wulian Smart Home system and be controlled via App after joining a ZigBee network. Please make sure the gateway can be joined before you connect the device to ZigBee network. If the connection fails, please exit and try again.

6. Doorbell



7. Binding Smart Door Guardian

When someone presses the doorbell button of the smart lock, the bound smart door guardian will ring.

Note: Please confirm the smart lock and smart door guardian are under the same wifi network.

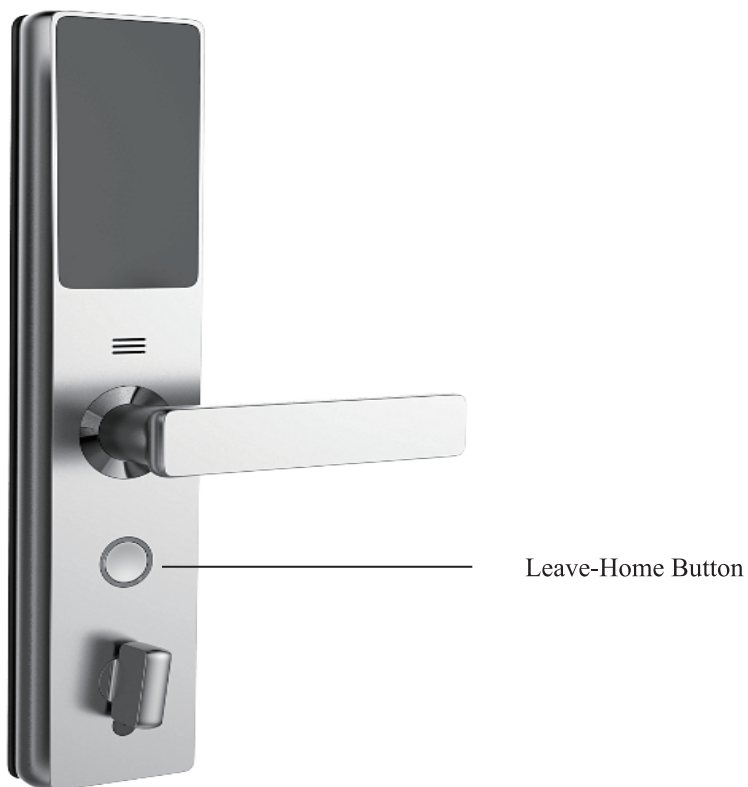
•Binding steps:

1. press 2 times “*” key on the smart lock to enter the administrator mode
2. press 3 times of doorbell button on the smart lock
3. press smart door guardian set key 3 times within 40s after the smart lock showing “under binding doorbell”
4. it will shows “binding successfully” after succeed
- 5.

•Unbinding steps:

1. process binding ways 1 more time to unbinding the smart door guardian

8. Leave-Home Button



Press the Leave-Home Button to trigger Leave-Home Scene. (Bind the function on App)

9. WiFi Network Settings

1. After connecting the Doorlock to a ZigBee network, you will be asked to connect the camera to WiFi when you tap the device on App for the first time. You can tap “Yes” to connect according to App prompts; if you pass it, you can also connect the camera to WiFi on App’s admin interface;
2. Tap “Network Connection” according to App prompts;
3. Input WiFi account and password;
4. WiFi connection succeeded.

10. APP Download

For first time use , please download SmartHome , also read user manual carefully. Pay attention to Wulian news and update App timely.



SmartHome



Door Guard

Advanced Features and Emergency Application

1. Factory Reset

If you are unable to enter administrator mode due to forgotten password or other causes, you can initialize the Doorlock (restore it to factory default settings).

Take the following steps:

Doorlock Reset: press and hold the “Network & Reset Switch” above the battery compartment for 10s with a needle when the Doorlock is powered on; When you hear “Restored to factory settings”, the Doorlock is initialized successfully.

Camera Reset: press and hold the “Network & Reset Switch” above the battery compartment 3 times with a needle when the Doorlock is powered on; if you hear “Restored to factory settings”, that means the camera is initialized successfully (Smart Touch Doorlock without this feature).

Note:

After the device is restored to factory default settings, administrator password is reset to “123456”; all fingerprints or cards need to be added again.

2. Emergency Power Supply

When the battery voltage is lower than 4.8V, system will notice you: “Low battery, replace battery” at every time when the Doorlock is waked up. Then you have to replace them with new batteries (do not mix old and new batteries, or mix batteries of different models).



Emergency Power Supply

1. Using portable power to supply power through Type-C interface.
2. Using 9V battery to supply power through double contacts.

3. Emergency Key Opening

Insert your key into the keyhole at the bottom of the Doorlock, and rotate the key 90 degrees to open the door.

Product Specifications

Product Name	Smart Retina Doorlock
Color	Rose gold\ Silver\ Bronze\ Red copper
Unlock Ways	Finger Print\ Password\ NFC\ APP\ Key
Resolution	720P
Camera Angle	Horizontal/90° , Vertical/120°
Fingerprint Identification	Capacitor scanning
False Rejection Rate	< 0.1%
False Acceptance Rate	< 0.001%
User Capacity	60
Every User Capacity	6 fingerprints, 1 password, 1 NFC
Battery	12 months (10 times/day 8 AA)
Emergency Power	DC 9V \ USB Type-C
Standby Current	< 35 μ A
Working Current	< 220 mA
Operating Temperature	-20°C~50°C
Operating humidity	15~90%RH
Plate Material	Zinc Alloy
Plate Craft	electric plating\ Baking varnish
Body Material	304 Stainless steel
Body Craft	Stainless steel casting \ CNC

中国江苏省南京市雨花台区凤集大道15号

No. 15, Fengji Road, Yuhuatai District, Nanjing, Jiangsu Province, China

邮箱 (Email): support@wuliangroup.com (中国) / overseas@wuliangroup.com (Overseas)

热线 (Hotline): 400-928-9288 (中国) / +86 400-889-2891 (Overseas)

www.wuliangroup.com