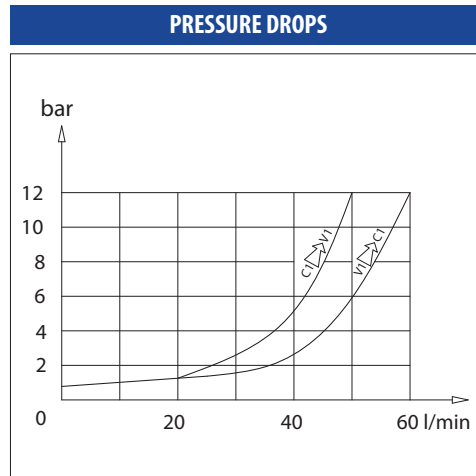
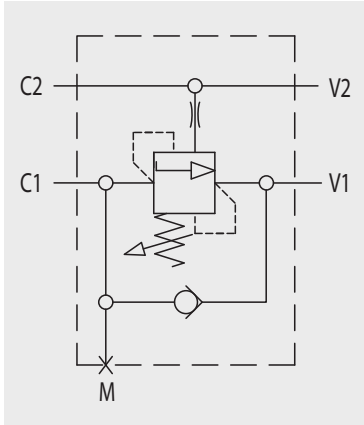


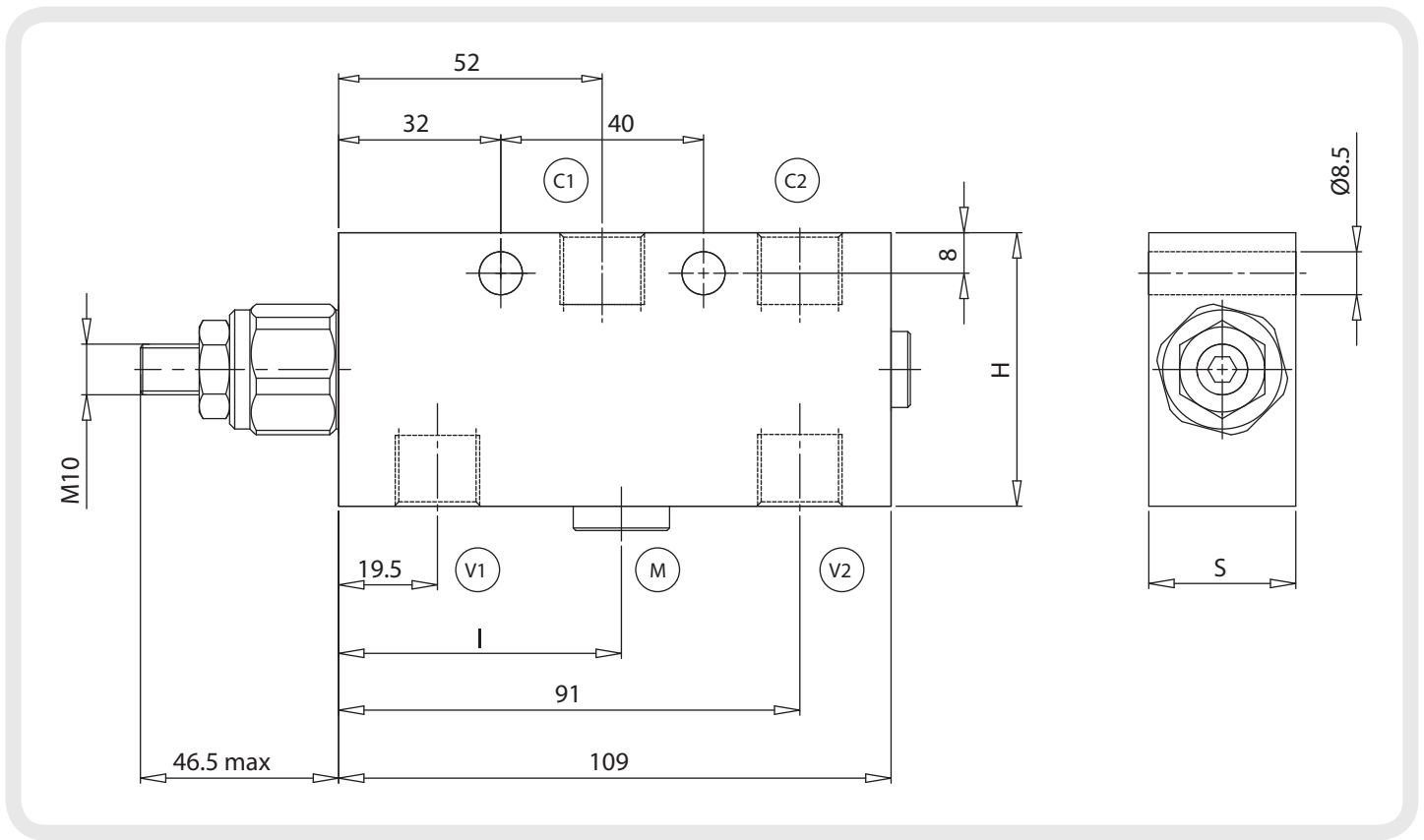
SINGLE COUNTERBALANCE VALVES FOR OPEN CENTER



TECHNICAL DATA

Mineral oil	ISO 6743/4 - DIN 51524
Fluid viscosity	10-500 mm ² /s 45 to 2000 ssu (6 to 420 cSt)
Max contamination index with filter	ISO 4406:1999 - 19/17/14
Fluid temperature	-20°C +80°C
Ambient temperature	-20°C +50°C
Max pressure	350 bar
Pilot ratio	1:4,25
Stell body	

It is necessary a filter use to protect the valve (advised filtration 15 micron)



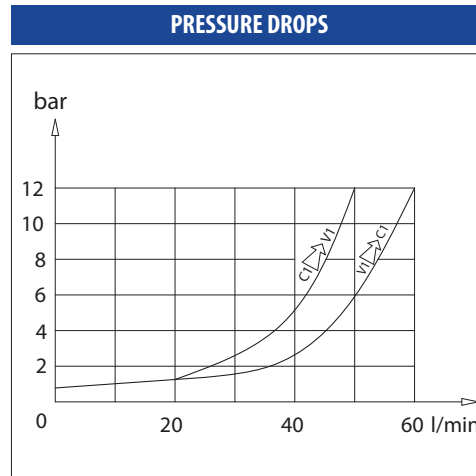
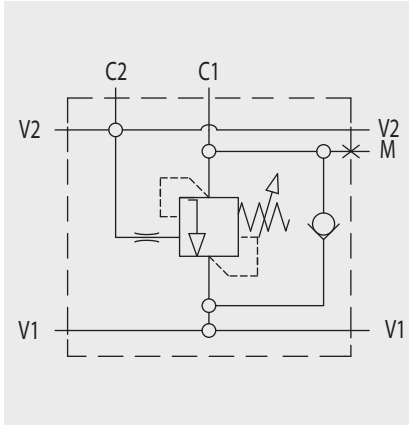
ORDERING CODE

CODE	ORDER CODE	V1-C1	V2-C2	M	H	I	S
A-VBSE/TR/PI 38	13900180	G 3/8		-	54	-	29
A-VBSE/TR/PI 120	13900181	G 1/2		G 1/4	64	54	34

A-VBSE/FL2/TR/PI



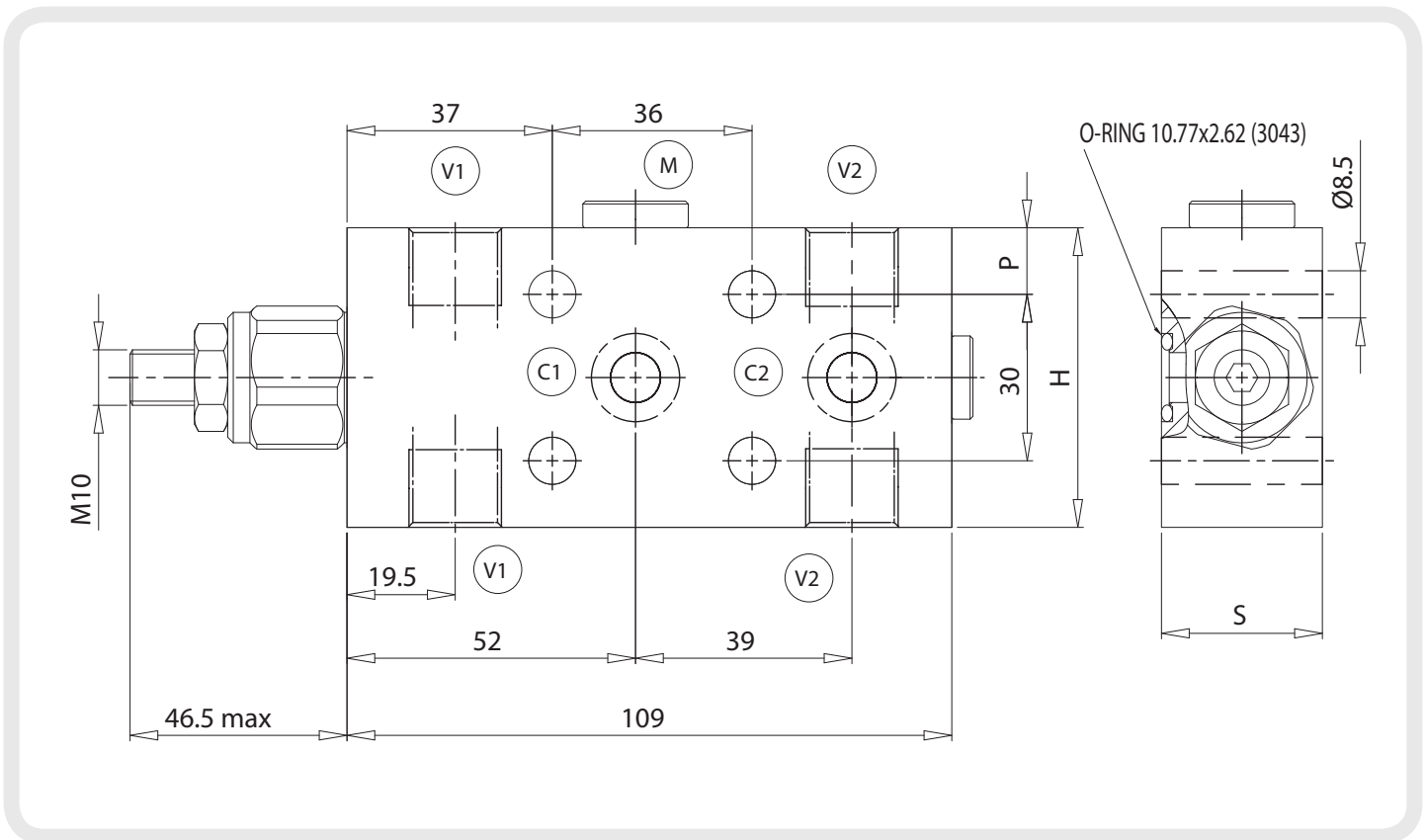
SINGLE CONTERBALANCE VALVES FOR OPEN CENTER - FLANGED VERSION



TECHNICAL DATA

Mineral oil	ISO 6743/4 - DIN 51524
Fluid viscosity	10-500 mm ² /s 45 to 2000 ssu (6 to 420 cSt)
Max contamination index with filter	ISO 4406:1999 - 19/17/14
Fluid temperature	-20°C +80°C
Ambient temperature	-20°C +50°C
Max pressure	350 bar
Pilot ratio	1:4,25
Stell body	

It is necessary a filter use to protect the valve (advised filtration 15 micron)



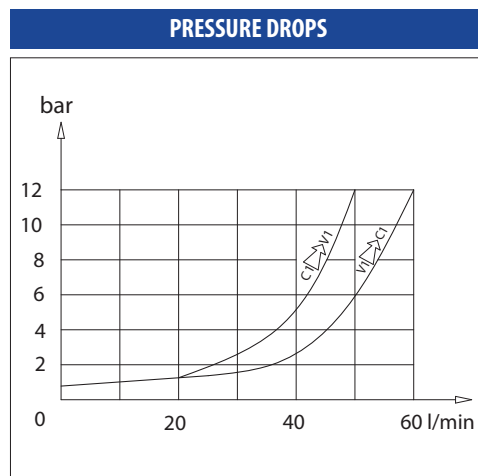
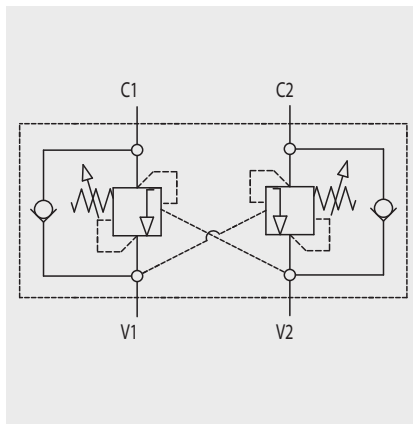
ORDERING CODE

CODE	ORDER CODE	V1-V2	M	H	P	S
A-VBSE/FL2/TR/PI 38	13900182	G 3/8	G 1/4	54	12	29
A-VBSE/FL2/TR/PI 120	13900183	G 1/2	G 1/4	64	17	34

A-VBDE/FL2/TR



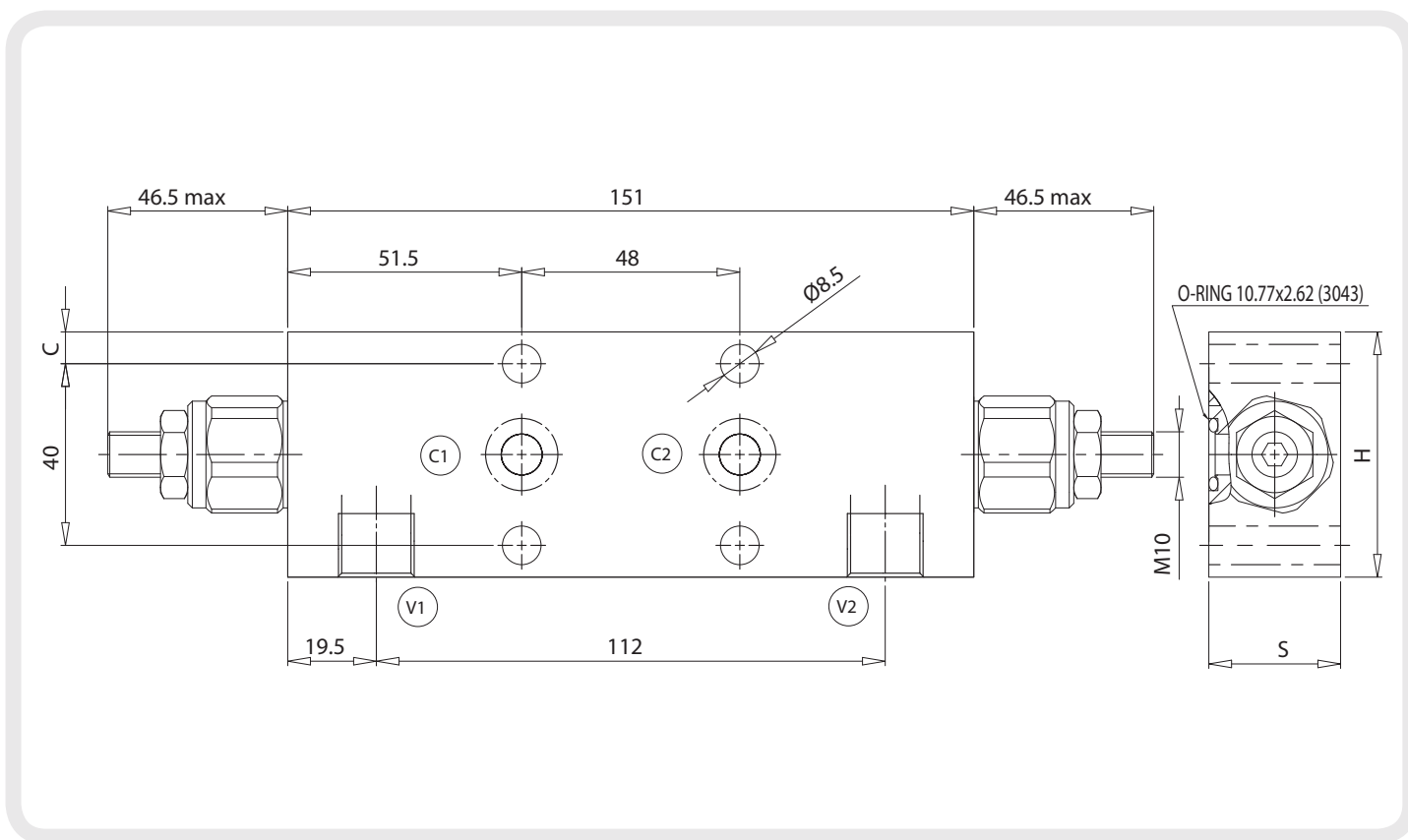
DUAL CONTERBALANCE VALVES FOR OPEN CENTER - FLANGED VERSION



TECHNICAL DATA

Mineral oil	ISO 6743/4 - DIN 51524
Fluid viscosity	10-500 mm ² /s 45 to 2000 ssu (6 to 420 cSt)
Max contamination index with filter	ISO 4406:1999 - 19/17/14
Fluid temperature	-20°C +80°C
Ambient temperature	-20°C +50°C
Max pressure	350 bar
Pilot ratio	1:4,25
Stell body	

It is necessary a filter use to protect the valve (advised filtration 15 micron)



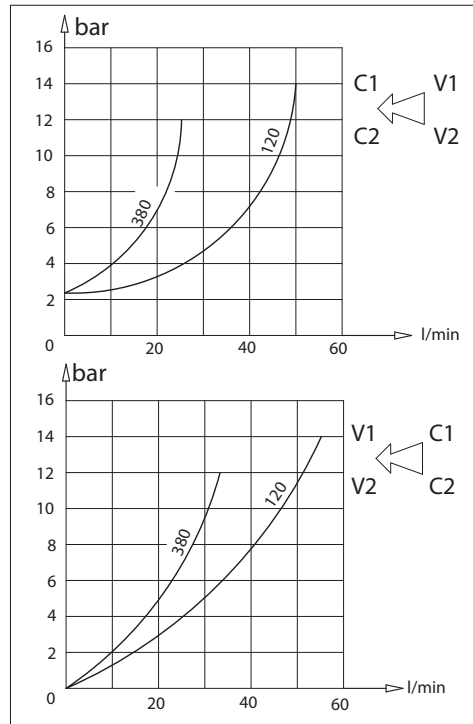
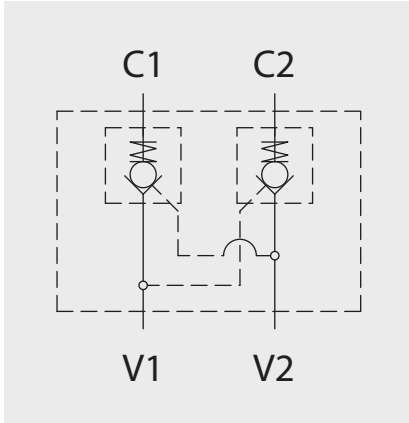
ORDERING CODE

CODE	ORDER CODE	V1-V2	C	H	S
A-VBDE/FL2/TR 38	13900178	G 3/8	7	54	29
A-VBDE/FL2/TR 120	13900179	G 1/2	12	64	34

DUBLE ACTING PILOT CHECK VALVES - FLANGED VERSION

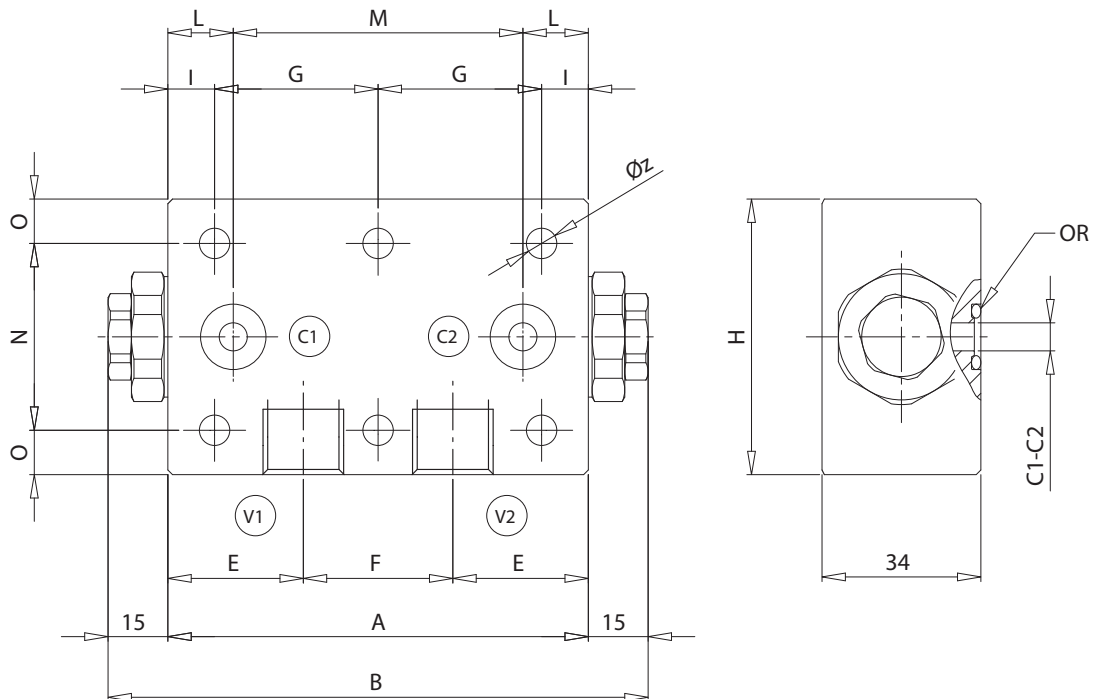
PRESSURE DROPS

TECHNICAL DATA



Mineral oil	ISO 6743/4 - DIN 51524
Fluid viscosity	10-500 mm ² /s 45 to 2000 ssu (6 to 420 cSt)
Max contamination index with filter	ISO 4406:1999 - 19/17/14
Fluid temperature	-20°C +80°C
Ambient temperature	-20°C +50°C
Max pressure	350 bar
Stell body	

It is necessary a filter use to protect the valve (advised filtration 15 micron)

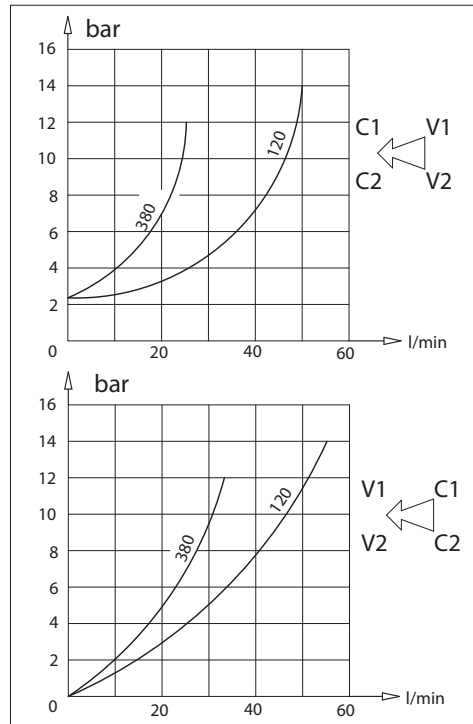


ORDERING CODE

CODE	ORDER CODE	V1-V2	C1-C2	A	B	E	F	G	H	I	L	M	N	O	Z	OR	PILOT RATIO
VRPD/AF 38	13900174	G 3/8	6	90	120	29	32	35	59	10	14	62	40	9.5	6.5	9.19x2.62	1:7
VRPD/AF 120	13900175	G 1/2	10	110	140	38	34	40	69	15	22.5	65	40	14.5	8.5	15.08x2.62	1:3.2

DUBLE ACTING PILOT CHECK VALVES

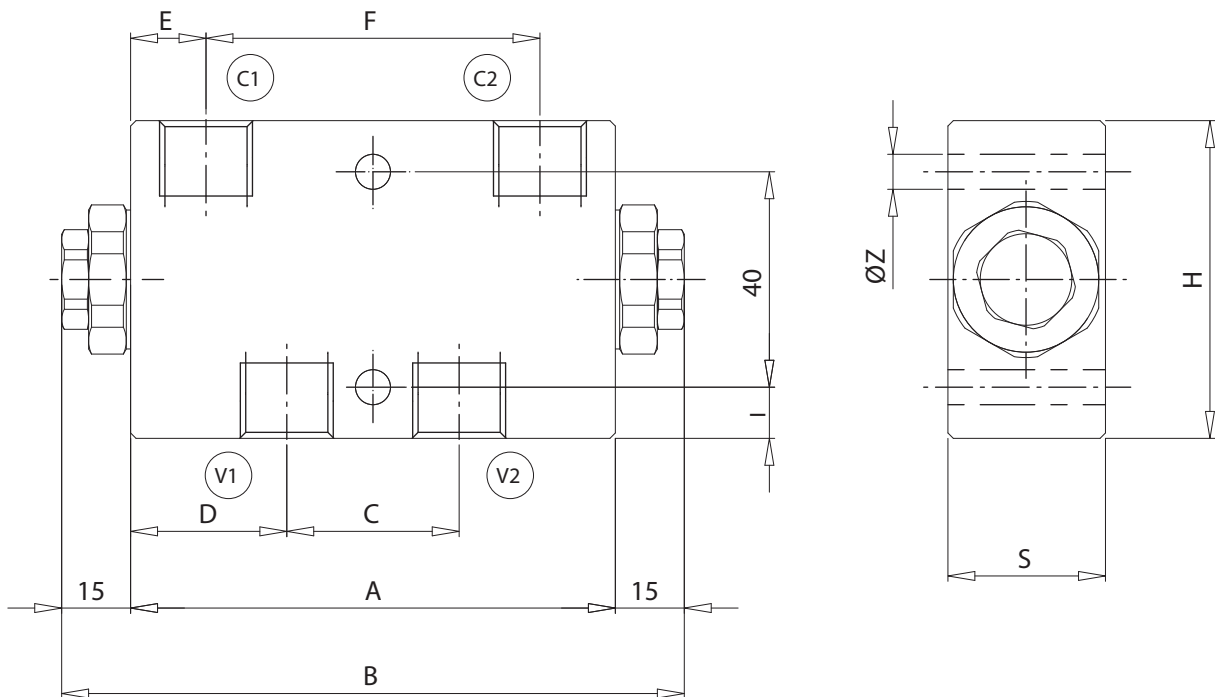
PRESSURE DROPS



TECHNICAL DATA

Mineral oil	ISO 6743/4 - DIN 51524
Fluid viscosity	10-500 mm ² /s 45 to 2000 ssu (6 to 420 cSt)
Max contamination index with filter	ISO 4406:1999 - 19/17/14
Fluid temperature	-20°C +80°C
Ambient temperature	-20°C +50°C
Max pressure	350 bar
Stell body	

It is necessary a filter use to protect the valve
(advised filtration 15 micron)



ORDERING CODE

CODE	ORDER CODE	V1-V2 C1-C2	A	B	C	D	E	F	H	I	S	Z	PILOT RATIO
VRPD/C 38	VRDL380N	G 3/8	90	120	32	29	14	62	59	9.5	29	6.5	1:7
VRPD/C 120	13900173	G 1/2	110	140	34	38	20.5	69	69	14.5	34	8.5	1:3.2